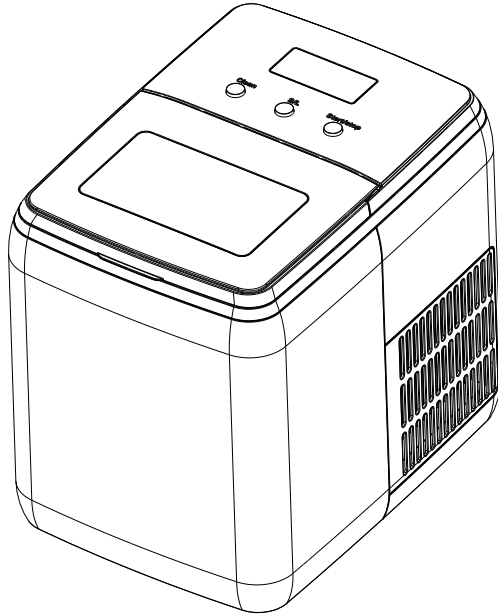


IM20 BULLET

USER MANUAL



Thanks for your purchase. For any questions, please don't hesitate to contact us, we will handle all your problem ASAP. Your feedback is vital to us! For more details, write invoice # on the subject of the email, so that we can find your order and better assist.

IMPORTANT NOTICES

When using an electrical appliance, basic safety precautions should always be followed to reduce the risk of fire, electric shock, and/or injury, including the following:

1. Read all instructions before using.
2. Remove all packing material and carefully check your ice maker to ensure it is in a good condition and that there is no damage to the ice maker or power cord and plug.
3. Before using the Ice maker for the first time, please wait **2 hours after positioning it**, and keep the transparent lid open for at least 2 hours.
4. Pure water is not allowed to be used on this unit; spring water is recommended.
5. Ensure the voltage is compliant with the voltage range stated on the rating label, and ensure the earthing of the socket is in good condition.
6. If the supply cord is damaged, it must be replaced by the manufacturer or its service agent or a similarly qualified person in order to avoid hazard.
7. Do not upend this product or tilt it over a 45°C angle.
8. To protect against risk of electric shock, do not pour water on cord, plug and ventilation, immerse the appliance in water or any other liquid.
9. Unplug the appliance after using or before cleaning.
10. Keep the appliance 8cm from other objects to ensure the good ventilation.
11. Do not use accessories which are not recommended by Manufacturer.
12. This appliance is not intended for use by persons (including children) with reduced physical, sensory or mental capabilities, or lack of experience and knowledge, unless they have been given supervision or instruction concerning use of the appliance by a person responsible for their safety. Children should be

- supervised to ensure that they do not play with the appliance.
13. Do not use the appliance close by flames, hot plates or stoves.
 14. Do not switch the power on button too frequently (ensure 5min. interval between switch-ons) to avoid compressor damage.
 15. Metal or other electric objects are not allowed to be inserted into the appliance to avoid fire and short circuit.
 16. Do not use outdoors.
 17. Never clean with scouring powders or hard implements.
 18. Please keep this instruction manual.
 19. Warning: Do not store explosive substances such as aerosol cans with a flammable propellant in this appliance.
 20. This appliance is intended to be used in household and similar applications such as
 - staff kitchen areas in shops, offices and other working environments;
 - farm houses and by clients in hotels, motels and other residential type environments;
 - bed and breakfast type environments;
 - catering and similar non-retail applications
 21. When positioning the appliance, ensure the supply cord is not trapped or damaged.
 22. Do not place multiple socket-outlets or portable powersupplies at the rear of the appliance
 23. Children aged from 3 to 8 years are allowed to load and unload refrigerating appliances.
 24. The refrigerant and insulation blowing gas is flammable, when disposing of the appliance, do so only at an authorized waste disposal center. Do not expose to flames.



25. This symbol indicates the refrigerant R600a and the non-metallic materials of the appliance are flammable. It's a warning symbol. Warning: Risk of fire / flammable materials.



Warning; Risk of fire / flammable materials.

WARNING: When positioning the appliance, ensure the supply cord is not trapped or damaged.

WARNING: Do not place socket-outlets or portable power supplies at the rear of the appliance.

Children aged from 3 to 8 years are allowed to load and unload refrigerating appliances.

To avoid contamination of food, please respect the following instructions:

- Opening the lid for long periods can cause a significant increase of temperature inside the compartment of the appliance.
- Clean surfaces regularly that come in contact with food and accessible drainage systems.
- Clean the water tank if the appliances has not been used for longer than 48 hours.
- If the refrigerating appliance is left empty for long periods, switch off, defrost, clean, dry, and leave the lid open to prevent mould developing within the appliance.)

SPECIFICATIONS

Model Number: ICM-2015

Voltage: 220-240V~ 50Hz

Power Consumption: 120 W .

Daily Ice Output: 20kg (44.09lbs)/24 hoursIce

Storage Capacity: 2.0L/900 g(1.98lbs) Water

Reservoir Capacity: 2.6 L N.W: 10.6KG

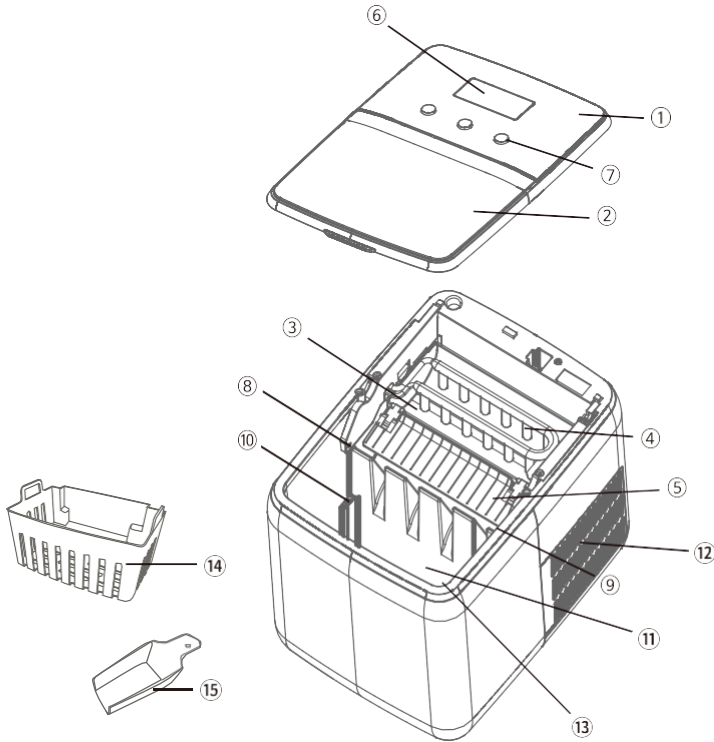
G.W: 11.7KG

Ice making mode: big and small

Cooling agent: R600a environmental friendly refrigerant

Max overall dimensions(W X D XH): 365X270 X327mm

DESCRIPTION



1. Top lid

2. Viewing window

3. Ice tray

4. Evaporator

5. Ice shovel

6. Display

7. Button

8. Infrared light-receiving diode

9. Infrared light-emitting diode

10. "MAX" water level

11. Water reservoir

12. Air outlet

13. Drain plug

14. Ice basket

15. Ice scoop

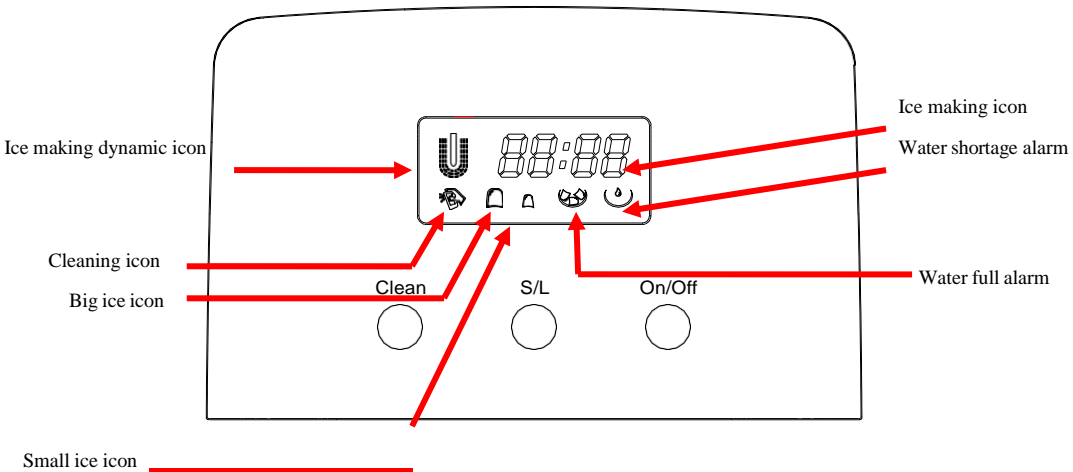
FEATURE

- ✧ Quick ice making
- ✧ Two different sizes of ice can be made
- ✧ Prompt when the ice tray is full and water is insufficient
- ✧ Bullet ice
- ✧ 12 pcs ice can be made in 9 minutes and 30 seconds.
- ✧ Automatic cleaning function

WARNING

1. During transportation, do not tilt the machine more than 45 degrees. This may damage the compressor and the sealing system.
2. Remove all packing materials, check the machine carefully and make sure that the machine, power cord and plug are normal.
3. The machine should be on a level surface. To ensure sufficient ventilation, the distance of the back of ice maker to the wall should be at least 150 mm, it should be away from the oven, radiators or any other heat sources.
4. Before using the machine for the first time, place the machine and leave the transparent lid open for at least two hours.
5. Make sure that the home voltage is consistent with the voltage indicated by the manual.
6. Distilled water is not allowed. Mineral water is recommended.

CONTROL PANEL OPERATION



Start/Stop: Start/Stop button

S/L: Mode selection

CLEAN: CLEAN button

1. Plug in the power supply and the display will come on. The machine will start the deicing function first. After no operation, the machine will automatically enter the standby mode.
2. **CLEAN:** Cleaning function. Press the CLEAN button, and then press the Start / Stop button. The machine will automatically enter the cleaning function for about 150 seconds. Please do not turn off the power during the cleaning. After the cleaning, the machine will automatically enter the standby mode.
3. **S/L:** select the ice size mode, and the default mode is big ice making mode for each startup, icon display for selected mode.

The production time of small ice is 8 minutes and 30 seconds., and that of large ice is 9 minutes and 30 seconds.

4. **Start/Stop:** After the power is plugged in, press the Start / Stop button, and the machine will start the ice making function. The default mode is big ice making mode.
5. **Time display:** after the machine starts to make ice, the time starts to count. The calculation time starts in minutes. The time displayed by the machine does not stop during the working period of the machine. When 99:99 is displayed, the time will be reset to zero again, and so on.
6. **Water shortage alarm:** during pumping, if no water flow is sensed within 5 seconds, the water shortage icon will be displayed and the machine will stop working.
7. **ICE FULL:** When the compressor of the machine is not working and the infrared indicator is blocked for more than 5 seconds, the ice full icon will be displayed. At the same time, the machine will stop working and the ice full icon will flash in 1 / 4 second. Infrared detection continues, when the detection is not blocked, the machine continues to work.

OPERATION INSTRUCTIONS

Step 1

Open the lid and take out the basket and add water to the reservoir.

Note: There is a maximum scale MAX in the reservoir. The water should not exceed the MAX position. If the water exceeds the maximum scale MAX, you need to open the bottom drain plug,

release the excess water, and cover with a transparent cover.

Step 2

Plug in the power and press the Start/Stop button to start the machine.

Step 3

Select the size of the ice you want to make, default big ice

CAUTION

1. When the indoor temperature is lower than 15 degrees, please choose small ice. When the indoor temperature is higher than 30 degrees, it is recommended to choose big ice.
2. The three cycles used for the first time, the ice produced is small and irregular.
3. When the ice basket is full, please take out the ice immediately.

CLEANING & USE GUIDANCE

1. Clean the inner liner, ice collecting tray, water box, ice shovel and evaporator frequently. When cleaning, unplug the unit and remove the ice cubes. Use a diluted solution of water and vinegar to clean the inside and the outside surface of the Ice maker. Do not spray Ice maker with chemicals or diluted agents such as acids, gasoline or oil. Rinse thoroughly before starting.

2. Keep ventilation openings in the appliance enclosure, or in the built-in structure, clear of obstruction. Do not use mechanical devices or other means to accelerate the defrosting process, other than those recommended by the manufacturer.
3. Reuse the machine after being idled for a period of time, it may not have enough water to pump for air retard, in this case, the water shortage indicator "**ADD WATER**" will be on. Repress **POWER** button to restart the ice maker is okay.
4. To ensure the cleanness of ice, please change water for water reservoir at least once one day. If do not use for a long time, please drain the water out and clean it up.
5. If the compressor takes a strike action for shortage water, fully water or interruption of power supply, it will delay for 3mins to start up after restarted.
6. Always use fresh water before starting ice production either at initial installation or after a long shut-off period.

TROUBLE SHOOTING

1. Please note, if a power failure occurs due to disconnection of the power cord, or the power button has been pushed off during an ice making cycle, small ice chips may formed and lodge in the automatic shovel causing it to jam. If this occurs, the ice chips may be removed by disconnecting the power cord and gently pushing the shovel to the rear of the cabinet and removing the ice chips, then restarting.

2. Please check if the water reservoir is flat when the ice shovel can not remove the ice to ice basket. If not, please push the ice shovel gently, then press **POWER** button to restart.

PROBLEM	POSSIBLE CAUSE	SUGGESTED SOLUTIONS
The compressor works abnormally with a Buzzing noise	The voltage is lower than recommended	Stop the Ice maker and do not restart until the voltage is normal.
Water shortage indicator light is on	1. There is no water 2. The pump is full of air	1. Add to some water until it reaches MAX position 2. Press POWER button to restart
Indicator lights on display are not on	Blown fuse/ No power	Replace fuse / Turn power on
The Ice made is too large and with pieces sticking together.	1. Wrong ice size selected 2. Ice of previous cycles left in the water tray	1. Select small size 2. Take out the ice under the standby state



<p>The ice making process was correct, but no ice came out?</p>	<ol style="list-style-type: none"> 1. The compressor has no refrigerant 2. Compressor damaged 3. Fan motor damaged 	<p>Call the service hotline</p>
<p>All indicators flash at the same time.</p>	<ol style="list-style-type: none"> 1. The water box is blocked by ice. 2. The motor is stuck, or the motor falls off, or the motor is damaged 3. Micro switch damaged 	<ol style="list-style-type: none"> 1. Take out the ice under the ice shovel, plug in the power again, and press the POWER button. After 3 minutes, the machine will restart automatically. 2. Call the service hotline
<p>The machine has been working, but the water has been warming</p>	<p>Solenoid broke down</p>	<p>Replace the solenoid valve</p>
<p>When the ice is full, the machine does not display the ice full icon</p>	<p>Ice full sensor damaged Solar light interference</p>	<ol style="list-style-type: none"> 1. Replace the ice full sensor 2. Move indoors to make ice 3. Call the service hotline

 **WARNING**

1. If the power cord is damaged; it must be replaced by the manufacturer, its service agent or a similarly qualified person in order to avoid a hazard.
2. Fill with potable water only.
3. It is normal for the compressor and condenser surface to reach temperatures between 70°C and 90°C during operation and surrounding areas may be very hot.
4. Due to fast freezing, ice cubes may appear “Cloudy”. This is air trapped in the water and will not affect quality or taste of ice.
5. This appliance is not intended for use by persons (including

children) with reduced physical, sensory or mental capabilities or lack of experience and knowledge unless they have been given supervision or instruction concerning use of the appliance by a person responsible for their safety.

- 6. Children should be supervised to ensure that they do not play with the appliance.
- 7. Do not immerse in water.

Correct Disposal of this product	
 	<p>This marking indicates that this product should not be disposed with other household wastes throughout the EU. To prevent possible harm to the environment or human health from uncontrolled waste disposal, recycle it responsibly to promote the sustainable reuse of material resources. To return your used device, please use the return and collection systems or contact the retailer where the product was purchased. They can take this product for environmentally safe recycling.</p>