



Gas Braai

**INSTRUCTIONS FOR THE ZERO
MODEL:**

5 BURNER



GENERAL SAFETY PRECAUTION

- For your safety, please read and follow the instructions in this manual carefully to minimize the risk of fire, explosion, or electric shock, and to avoid property damage, injury, or death.
- They contain important notes regarding installation, operation, and maintenance of the unit.
- Keep all documentation for future reference.
- **This device is intended for domestic use only. This appliance is not intended for commercial use.**
- This appliance is intended for indoor use only, store it in a dry place.
- Keep this appliance inside your home and always protected from atmospheric agents (humidity, frost, rain, hail, sun, etc.).
- Make sure that the ambient temperature is above 0 degrees, otherwise the appliance will not work properly.
- Do not place the appliance near or on a heat source.
- Replace parts and accessories before restarting.
- Use Non-inflammable cleaner.
- Use the device only with the parts supplied to prevent any risk of injury. The use of components from other companies or non-original spare parts may result in the risk of fire, electric shock or other accidents.
- Never immerse the device in water or any liquid whatsoever.
- Prevent your hand or any other part of your body from getting stuck in the removable parts of the device.
- This device can be used by people whose physical, sensory or mental capacities are reduced or who lack experience and knowledge, But only if they are supervised and supervised, if they have received the instructions on the use of the device. device in complete safety and if they are aware of the dangers involved.
- Keep the device and its cable out of the reach of children.
- This appliance should not be used by children, as should cleaning and maintenance of the appliance. Children should not use the device as a toy.
- In the event of a breakdown or malfunction, the device must be repaired by a professional.
- When installing the device, make sure that the power cord is not trapped, coiled or damaged.
- Do not use the device:
 - in the event of a leak or malfunction,
 - if the device has been damaged in any way.
 - if you dropped it,
- Unplug the appliance before any cleaning operation. Use only non-corrosive or non-flammable household products. Any projection of water or steam is to be avoided to avoid the risk of electrocution or injury.
- To avoid any risk of damaging the appliance, transport it in its position of use, equipped with its transport blocks (depending on the model). When unpacking it, and to prevent any risk of suffocation or accident, it is essential to keep the packaging materials out of the reach of children.
- In order to avoid dangerous situations, pay attention to the operating mode to follow in case of accident or breakdown.
- To ensure the safety of the machine, use only original spare parts from the manufacturer or approved by the manufacturer.
- Keep inflammable materials and vapors, such as gasoline, away from your unit.
- The warranty does not include the presence & damages due to any foreign bodies (Lizards, Cockroaches, flying or crawling insects, ants, rats, mice...) in the unit.
- Do not touch the device with wet or damp hands.
- Place and use the device on a flat, horizontal and stable surface.
- When it will no longer work, do not throw the device in with household waste but rather place it in a place provided for this purpose so that it can be recycled. By doing this you will help protect the environment.



SAFETY RULES AND RECOMMENDATIONS BEFORE & DURING USE

- **WARNING:** this product must be used only for cooking. It cannot be used for different purposes.
- Use the device only outdoors, in a well-ventilated area. Do not use it in a garage, building, covered walkway, tent or other enclosed space, or under an overhead combustible structure.
- Do not use the device in a vehicle, or the storage or loading space of a vehicle. This includes, but is not limited to, cars, trucks, station wagons, vans, 4x4s, RVs, and boats.
- This device is not intended for installation on leisure vehicles or boats.
- Do not use this appliance if all parts are not in place and if it has not been assembled correctly, following the assembly instructions.
- Do not install this appliance in a built-in or sliding construction.
- Do not modify the device. LPG is not natural gas. Any conversion or attempt to use natural gas in an LPG unit or vice versa is dangerous and will void your warranty.
- Any item sealed by the manufacturer must not be modified by the user.
- Before first use: Wash the new plancha and the grill by hand using mild dishwashing liquid. Wipe clean with a soft cloth.
- **WARNING:** Do not strike the grill and the plancha with metallic objects. Sharp metal utensils or sharp edges can scratch the enamel surface.
- During use, no combustible material should be within 24 inches of the rear or sides of the appliance.
- Keep all vapors and flammable liquids, such as gasoline or alcohol, and all combustible materials away from the cooking space.
- This appliance must be kept away from flammable materials during use.
- In the event of a grease fire, turn off all the burners and keep the cover closed until the fire is extinguished.
- Accessible parts can be very hot. Keep young children away.
- The use of alcohol, prescription or non-prescription medication, or drugs may interfere with the user's ability to assemble, move, store or operate the device correctly and safely.
- Never leave the device unattended during preheating or operation. Use the device with caution. The entire cooking cabinet becomes hot during use.
- Wear heat-resistant Braai oven mitts or gloves (conforming to standard EN 407, Contact heat level 2 or higher) when using the Braai.
- Do not move the device during use.
- Keep all power cables and the gas hose away from any heated surface.
- Any item sealed by the manufacturer must not be modified by the user.
- **WARNING:** If the LPG cylinder is not the good size to be installed in the cabinet, do not attempt to place or plug the cylinder into the cabinet. Place and plug the bottle outside the cupboard. Failure to follow this instruction could damage the hose, resulting in serious injury or death, as well as property damage.
- If you smell gas:
 - Turn off the gas on the appliance (Braai).
 - Extinguish any open flame.
 - Open the cover.
 - If the odor persists, move away from the appliance and immediately call your gas supplier or the firemen.
- Close the gas container valve after use.
- The device may break if dropped.
- LPG cylinders must be stored outdoors, out of children' reach and not in a building, garage or other enclosed space.
- After a period of storage and / or non-use, make sure that the Braai has no gas leaks or obstructions from the burners before using it.
- Storage of the Braai indoors is only permitted if the LPG cylinder is disconnected and removed from it.
- We recommend replacing the gas hose assembly on your Braai every five years. Some countries may require that the gas hose be replaced on a more regular basis, in which case national law prevails. For the assembly of replacement hoses, regulators and valves, contact a professional.

WARNING :

- During operation and after use, some parts of the device remain hot; until they cool, keep children away.
- Do not store and use gasoline or other flammable liquids or vapors near this appliance.
- Do not store unplugged LPG cylinders near this appliance.
- Always wear heat-resistant Braai oven mitts or gloves (compliant with standard EN 407, Contact heat level 2 or higher) to use the appliance when it is hot.
- Do not place a plancha or grill on a combustible surface, on glass or on a surface that could be damaged by heat.
- Do not remove the plancha and the grill before they are cold.
- Do not use cooking oil, whatever the type or quantity, on the plancha. Rather lightly oil the food before placing it on the hot plancha.
- Never immerse your plancha or grill in water when it is hot. Thermal shock could damage the enamel.
- Do not place two planchas side by side.






SAFETY RULES AND RECOMMENDATIONS FOR CLEANING

WARNING

- The product must be cleaned after each use.
- Hot surfaces can cause burns! Before starting to clean the product, wait the product cool down.
- Before starting maintenance or cleaning, turn off the appliance, close the gas container valve and wait until the appliance is cold.
- Soak the grill and plancha in water to remove stubborn particles, then hand wash with hot soapy water. Rinse and let dry, then store the device in a cool, dry place.
- Clean the rest of the device with a damp cloth after use.
- **CAUTION:** Very abrasive metal pads / brushes and soaps can damage the enamel coating.
- Do not use any cleaning product containing acid or chlorine. Clean, taking care to wipe in one direction using liquid (non-abrasive) detergent and a soft, soapy cloth.
- Certain detergents or cleaning agents can damage the surface. Do not use abrasive detergents, powder / cream detergents or sharp objects.
- Clean the instrument panel and the control buttons with a damp cloth and wipe with a dry cloth.
- The instrument panel can be damaged! Do not disassemble the control button to clean the instrument panel.

TECHNICAL INFORMATION

		 2575-23	
MODEL NO.:	5 Burner Gas Braai		
TOTAL HEAT INPUT: (ALL GAS CATEGORIES)	16 kW (1165 g/h)	GAS CATEGORY:	I3+(28-30/37)
TYPES OF GAS:	LPG	GAS PRESSURE:	2.8 kPa
INJECTOR SIZE:	0.85mm	SERIAL NUMBER :	See below
FOR OUTDOOR USE ONLY WARNING: ACCESSIBLE PARTS MAY BE VERY HOT. KEEP YOUNG CHILDREN AWAY. READ THE INSTRUCTIONS BEFORE USING THE APPLIANCE.			
 QUALITY PRODUCT MADE IN CHINA FOR ZERO APPLIANCES			
Serial No: ZB51001			

Ignition: Single shot piezo ignition unit which lights a transient pilot.

PRIOR TO USE

- Read the following instructions carefully and be sure your Braai is properly installed, assembled and cared for. Failure to follow these instructions may result in serious bodily injury and/or property damage.
- If you have any questions concerning assembly or operation, consult your dealer or LPG Gas Company.
- When used on the ground always place the appliance and cylinder on flat level surface.
- Never light the appliance with the HOOD in the closed position.
- Never attempt to light or use the side burner with the lid in the closed position as a hazardous condition could arise and damage to the appliance will occur.
- Only to be used outdoors.
- Any modification of the appliance may be dangerous.

- Parts sealed by the manufacturer or his agent must not be altered by the user.
- No modifications should be made to any parts of this Braai and repairs and maintenance should only be carried out by a certified service engineer.
- Your Braai to be used with 9-13kg gas cylinders. Only LPG gas must be used.

WARNING

- Accessible parts may be very hot. Keep young children away.**
- Do not store or use petrol or other flammable or liquids in the vicinity.**
- Never leave the hot Braai unattended.**

DANGER

If you smell gas:

- 1. Shut off gas supply to appliance. Allow excess gas to dissipate before attempting to re-light.**
- 2. Extinguish any open flame, avoid using any electrical appliance.**
- 3. Open lid and ventilate the area.**
- 4. Check gas connections with soap solution.**
- 5. If odor still exists, immediately contact your gas supplier or fire department.**

IMPORTANT

Hazardous fire or explosion may result if these instructions are ignored.

It is the user's responsibility to see that this Braai is properly assembled, installed and taken care of.

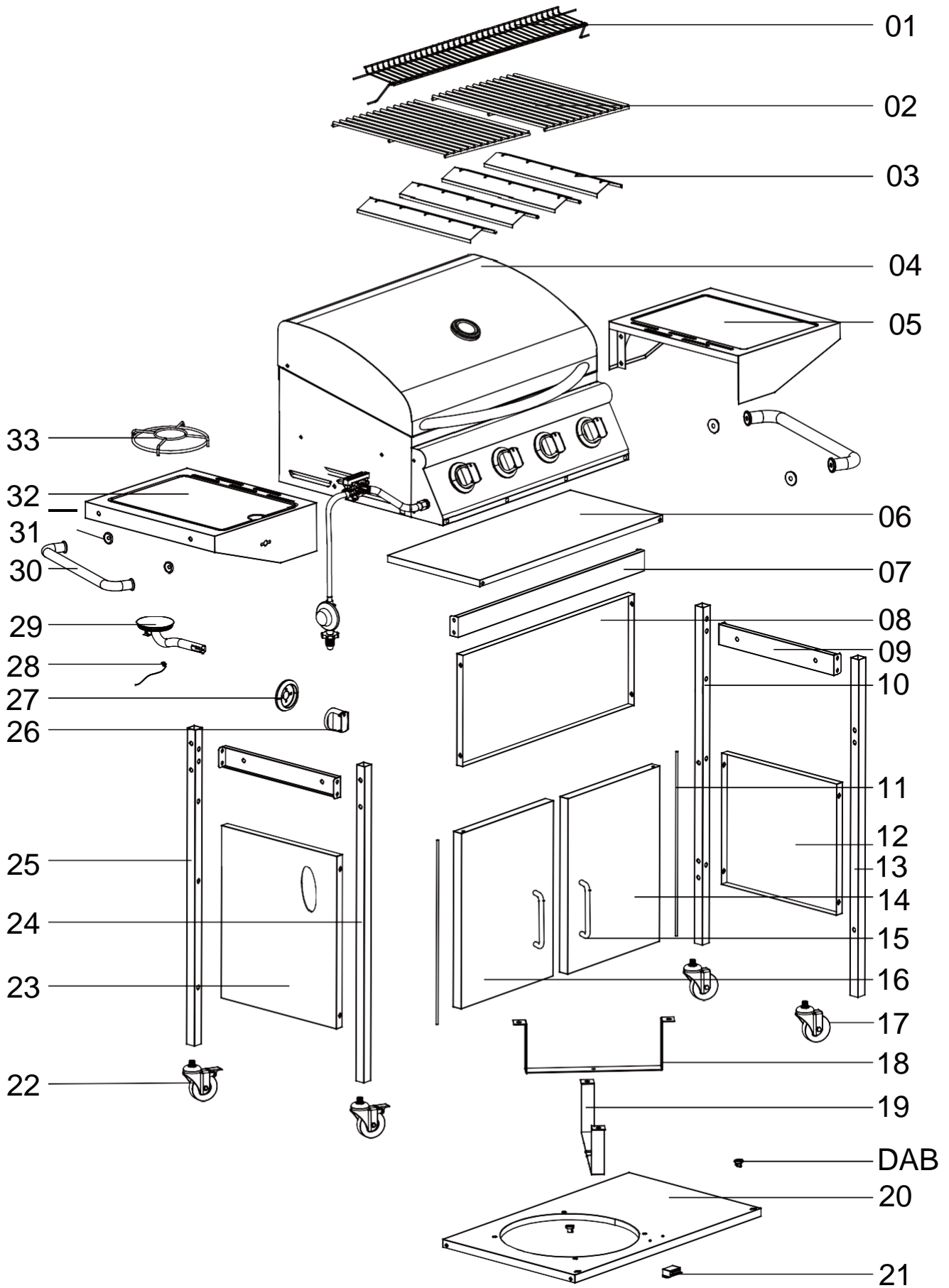
Failure to follow instructions in this manual could result in serious bodily injury and/or property damage.















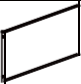














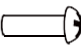










Any modification of the appliance, misuse or failure to follow the instructions may be dangerous and will invalidate your warranty.

- NOTE FOR CONSUMER: Retain this manual for future reference.**

SAFETY INSTRUCTIONS

- Leak test all connections after each tank refilled or first use after a long period.
- This Braai is NOT for commercial use.
- Never use an LP gas tank with a damaged body, valve, collar or footing.
- Do not store a spare LP gas tank under or near this appliance.
- The use of alcohol, prescription or non-prescription drugs may impair the ability to properly assemble or safely operate the appliance.
- Do not use the Braai unless it's completely assembled and all parts are securely fastened and tightened.
- This Braai should be thoroughly cleaned and inspected on a regular basis, clean and inspect the hose before each use of the appliance. If there is evidence of abrasion, wear, cuts or leaks, the hose must be replaced prior to the appliance being operated.
- Use only factory authorized parts. The use of any part that is not factory authorized is dangerous. This may also void your warranty.
- When cooking, fire extinguishing materials must be readily accessible. In the event of an oil grease fire, do not attempt to extinguish with water. Use type B or type C dry chemical fire extinguisher or smother with dirt, sand or baking soda.
- Operate on solid ground only, do not install or use in/on boats or recreational vehicles.
- Do not leave a lit Braai unattended, especially keep children and pets away from the Braai at all times.
- Do not move the appliance during use.
- Always open the Braai lid carefully and slowly as heat and steam trapped within Braai can severely burn you.
- Move gas hoses as far away as possible from hot surface and dripping hot grease.
- Keep all electrical cords away from a hot Braai.
- Turn off the gas supply at the gas container after use.
- Never cover the entire cooking area.
- Never obstruct the ventilation openings of the container compartment.
- When handling particularly hot components, protective gloves should be used.
- Allow the Braai to cool down completely before cleaning it.
- The Braai should be heated up for approximately 15 minutes before it is used for the first time.
- It is important that there are no overhead obstructions and that there is a minimum distance of 1m from the side or rear of the appliance.
- Fatty foods can have excess grease and cause flare ups. When cooking fatty foods, use a low setting with the lid open.
- Clean the interior and grease cup/tray before each use. This will cut down on fat build-up and the possibility of flare ups.
- The appliance should be protected from direct draughts and should be positioned or protected against direct penetration by any trickling water(e.g. rain).
- Do not clean the appliance with a water spray or immerse in water.
- Where the appliance is intended to be permanently installed, the installation must only be carried out by a registered installer and that such installations shall comply with the requirements of SANS 10087-1 or SANS827 as applicable. Customer to be issued with COC on completion of installation.



NO	Description	Figure	QTY	NO	Description	Figure	QTY
01	Warming Rack		1	22	Lock Caster		2
02	Cooking Grill		2	23	SidePanel		1
03	Flame Tamer		4	24	Left FrontLeg		1
04	Body Asem		1	25	Left Blcak Leg		1
05	Side Shelf		1	26	Knob		1
06	Heat Sheet		1	27	Knob Base		1
07	Door Bracket		1	28	Lgniter wire		1
08	Trolley Back Panel		1	29	Side Burner		1
09	Car Bracket		2	30	SideTablehandle		2
10	Right BackLeg		1	31	SideTablehandleBase		2
11	Door Axle		2	32	Side Burner Shelf		1
12	SidePanel		1	33	Side Burner Rock		1
13	Right Front Leg		1	DAB	Door Axle Base		2
14	Right Door		1				
15	Door Handle		2				
16	Left Door		1	A	Screw M6X10		57
17	Caster		2	B	Clip		2
18	Cylinder bracket A		1	C	Screw M4X10		6
19	Cylinder bracket B		1	D	Screw M3X10		2
20	Bottom Tray		1	E	Nut M3		2
21	Magnet		1	F	Nut M6		1

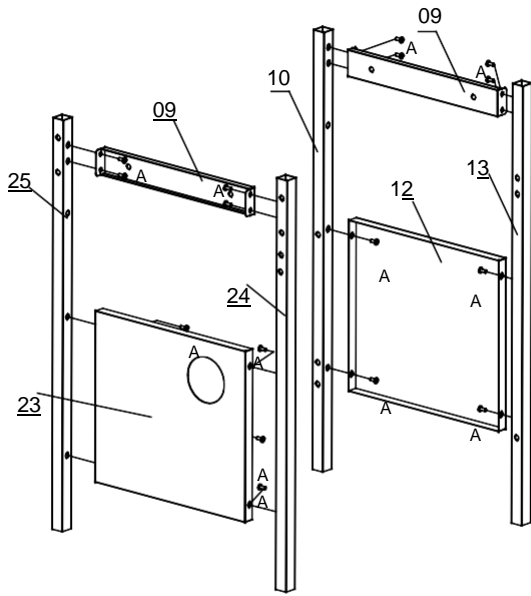
ASSEMBLY INSTRUCTIONS

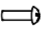
Please read these instructions carefully before assembly and use.

- Find a large, clean area to assemble your Braai. Please refer to the parts list and assembly diagram as necessary. Assembly of the Braai involves many large components; It is advisable to have two people assemble the unit.
- Please use protective gloves when assembling this product.
- To avoid losing any small components or hardware, assemble your product on a hard level surface that does not have cracks or openings.
- To avoid damage to soft floor or carpet, do not assemble or move the appliance on soft floor or carpet.
- Follow all steps in order to properly assemble your product.
- Make sure all the plastic protection is removed before assembling.
- Do not force parts together as this can result in personal injury or damage to the product.
- When applicable, tighten all hardware connections by hand first, once the step is completed, go back and full tighten all hardware.

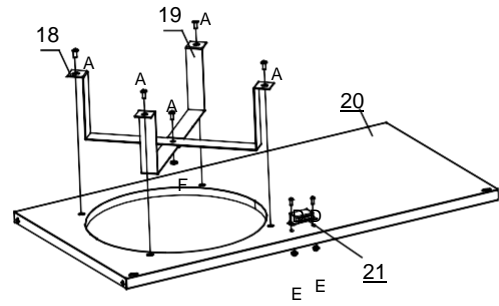
Caution: Whilst every effort has been made during the manufacture of your Braai to remove any sharp edges, you should handle all components with care to avoid accidental injury.

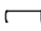

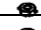

STEP 1



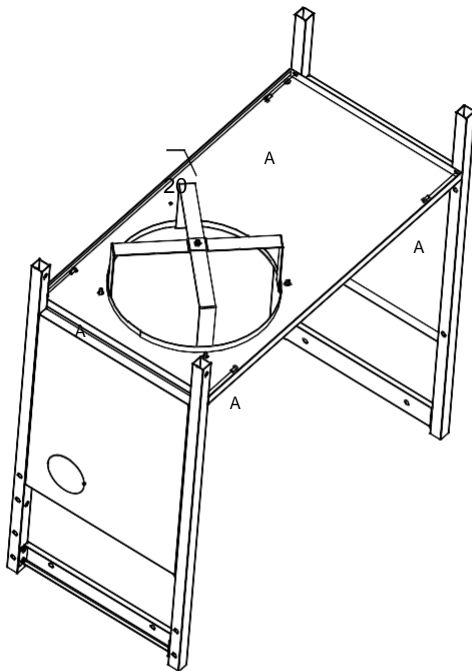
 A M6X10 Screw 16Pcs

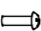
STEP 2



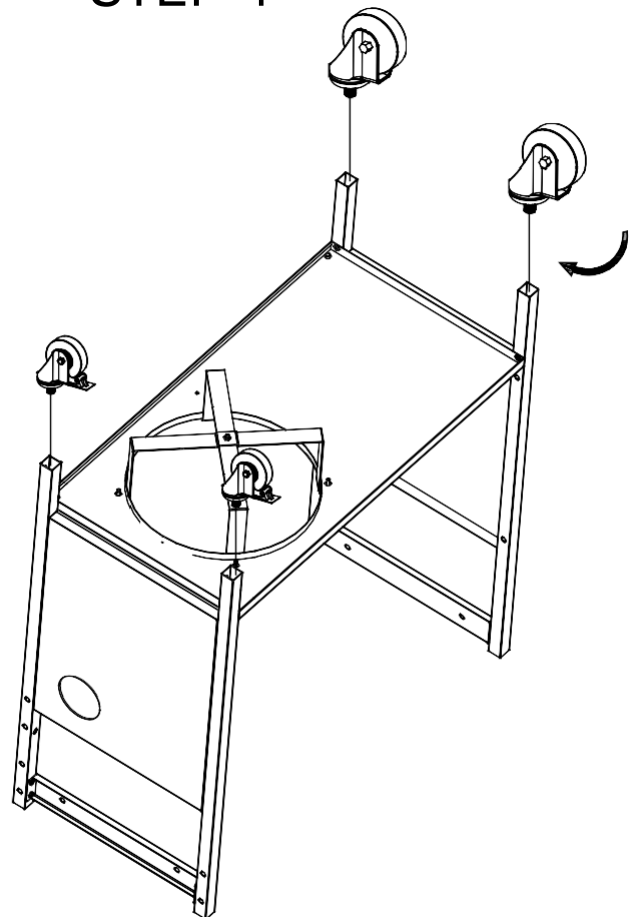
-  A M6X10 Screw 5Pcs
-  D M3X10 Screw 2Pcs
-  E M3 Nut 2Pcs
-  F M6 Nut 1Pcs

STEP 3

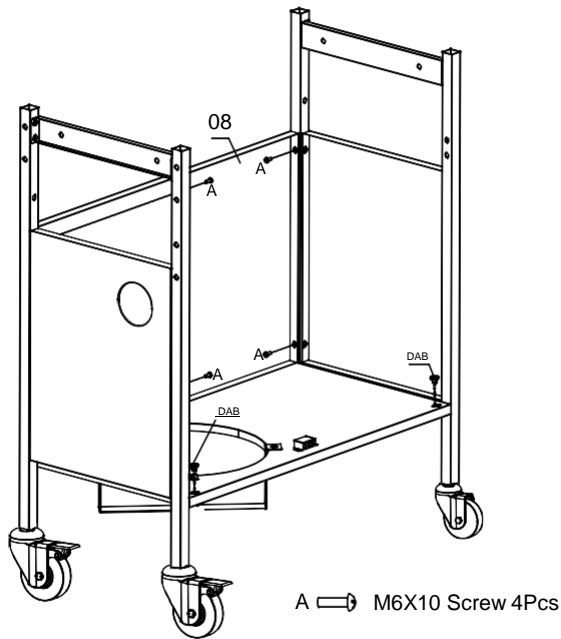


 A M6X10 Screw 4Pcs

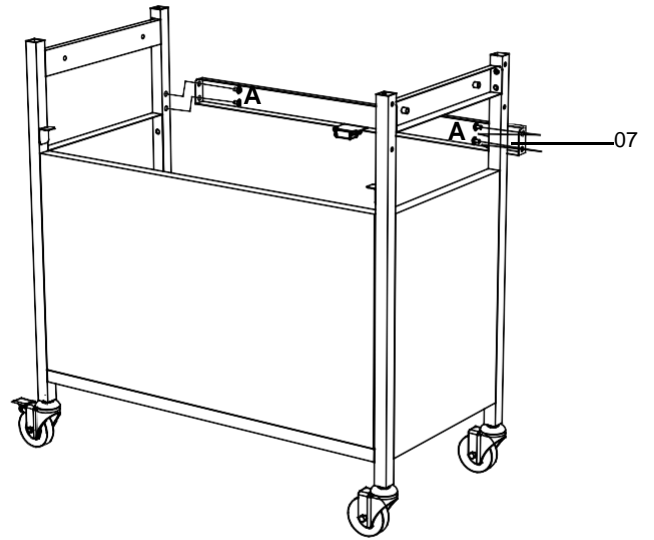
STEP 4



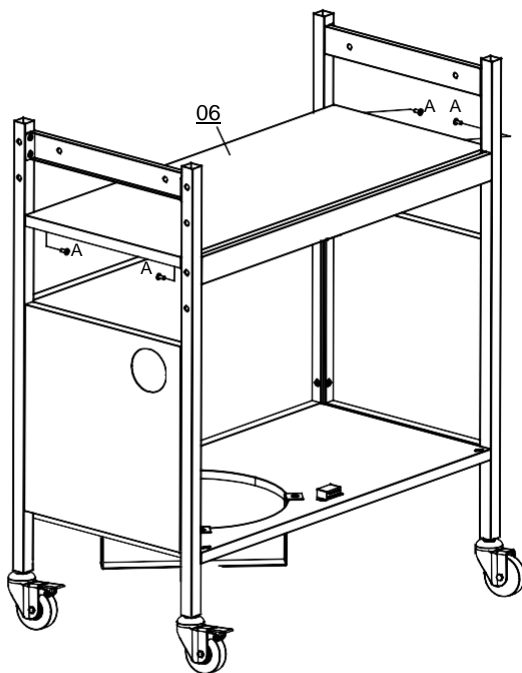
STEP 5



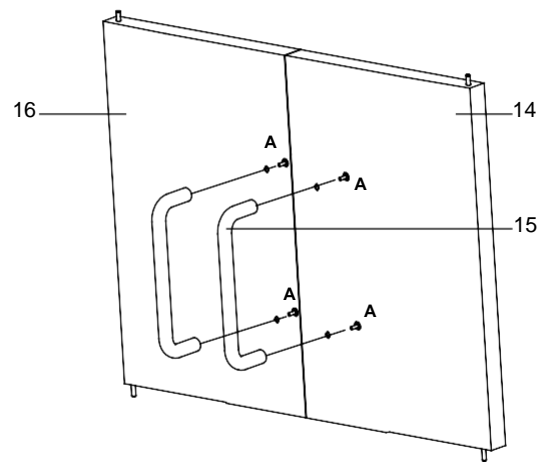
STEP 6



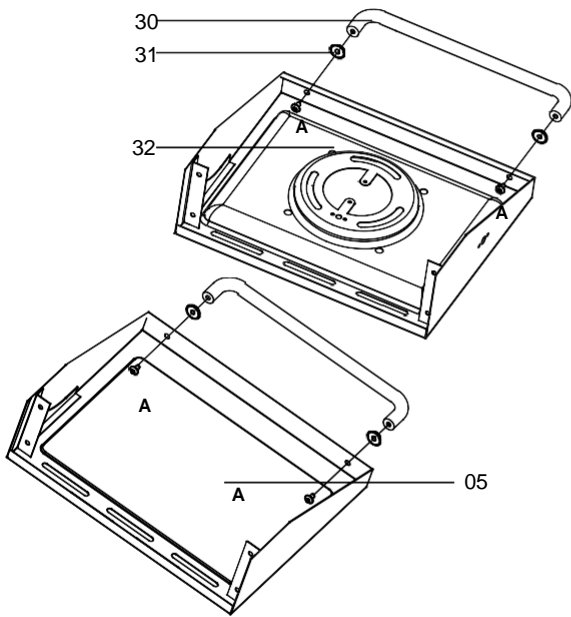
STEP 7



STEP 8

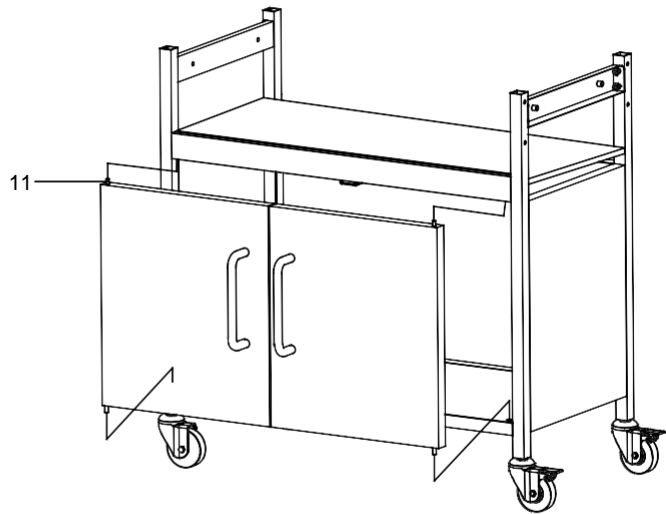


STEP 9

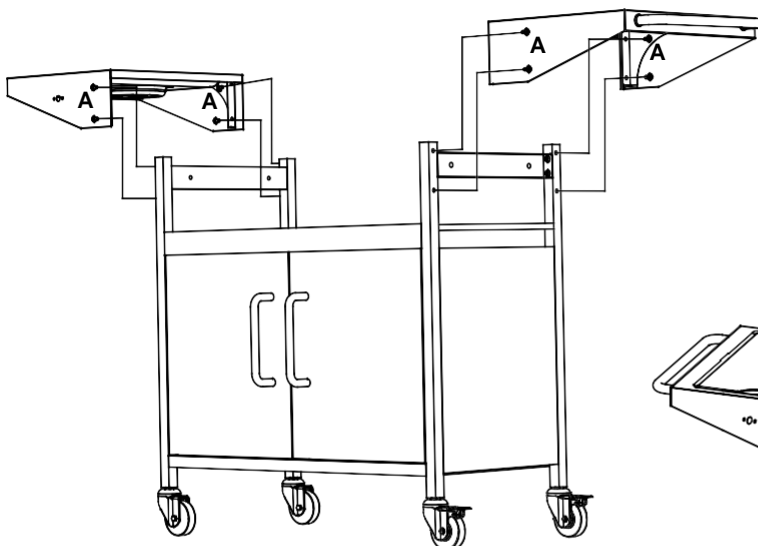


A ⇨ M6X10 Screw 4Pcs

STEP 10

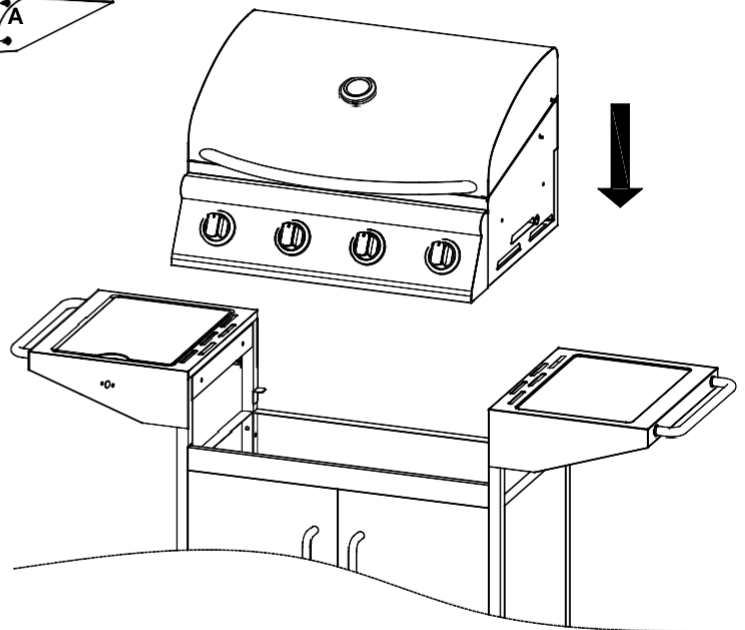


STEP 11

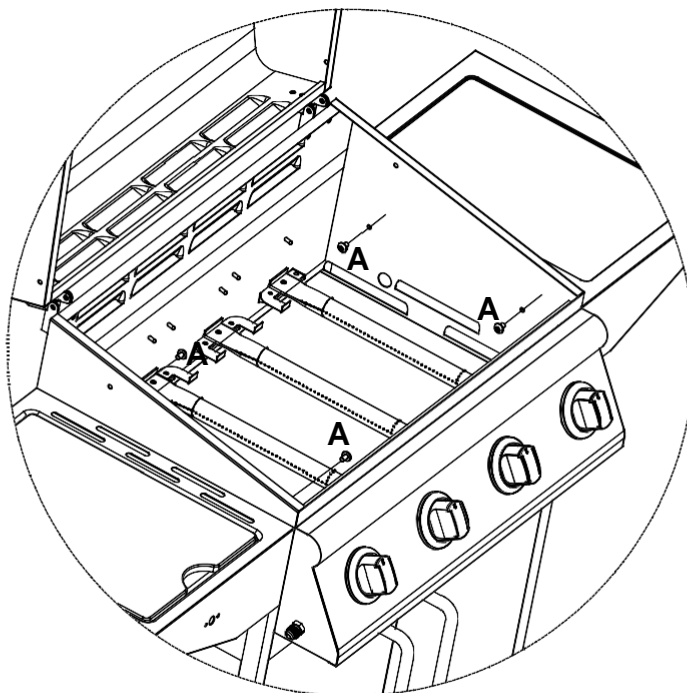


A ⇨ M6X10 Screw 8Pcs

STEP 12

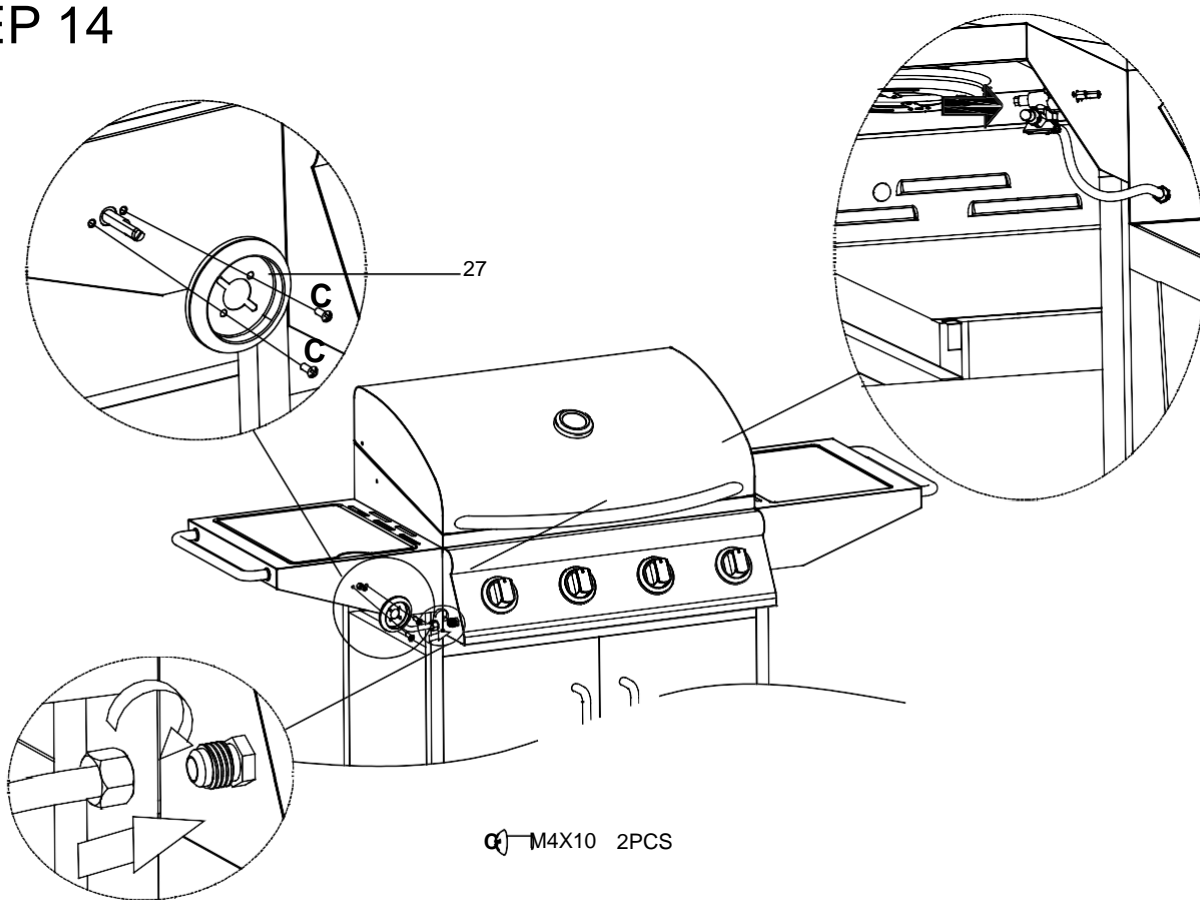


STEP 13



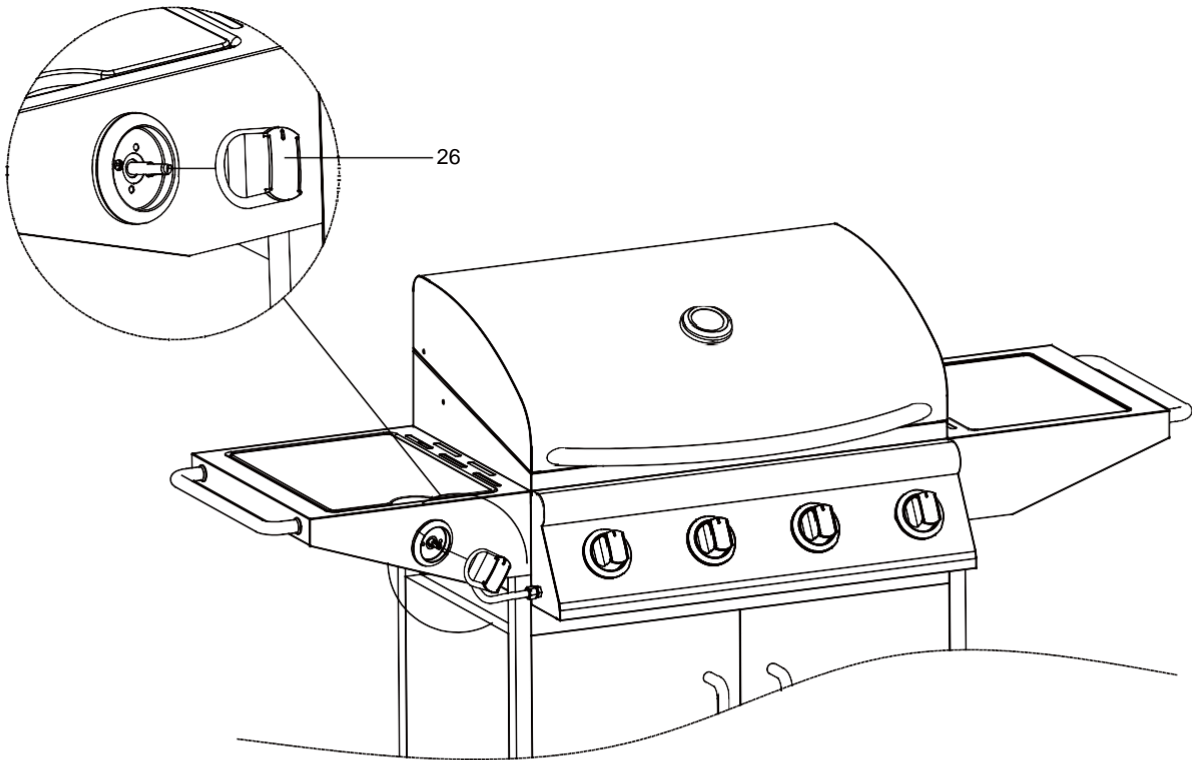
A ⇨ M6X10 Screw 4Pcs

STEP 14

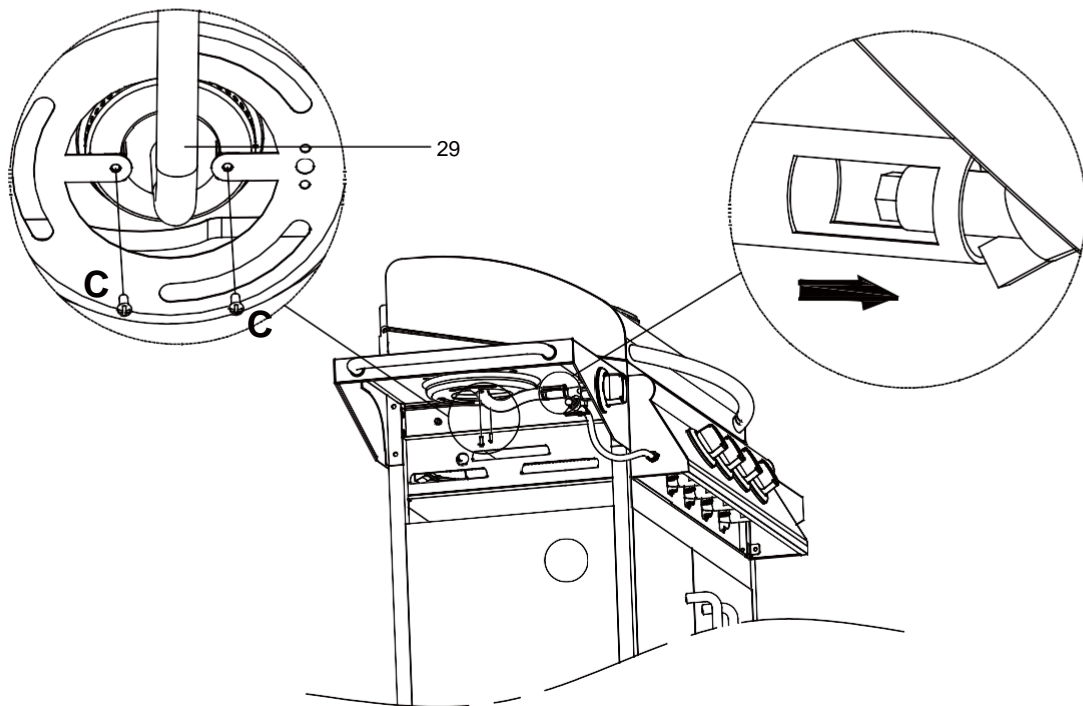


⇨ M4X10 2PCS

STEP 15

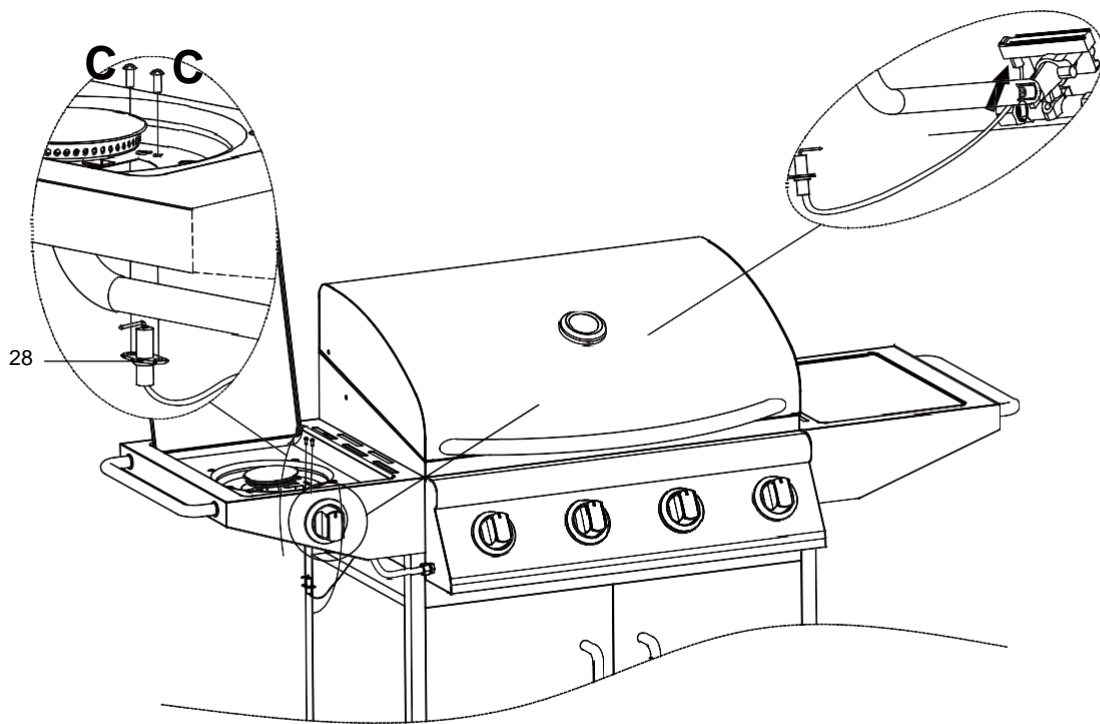


STEP 16



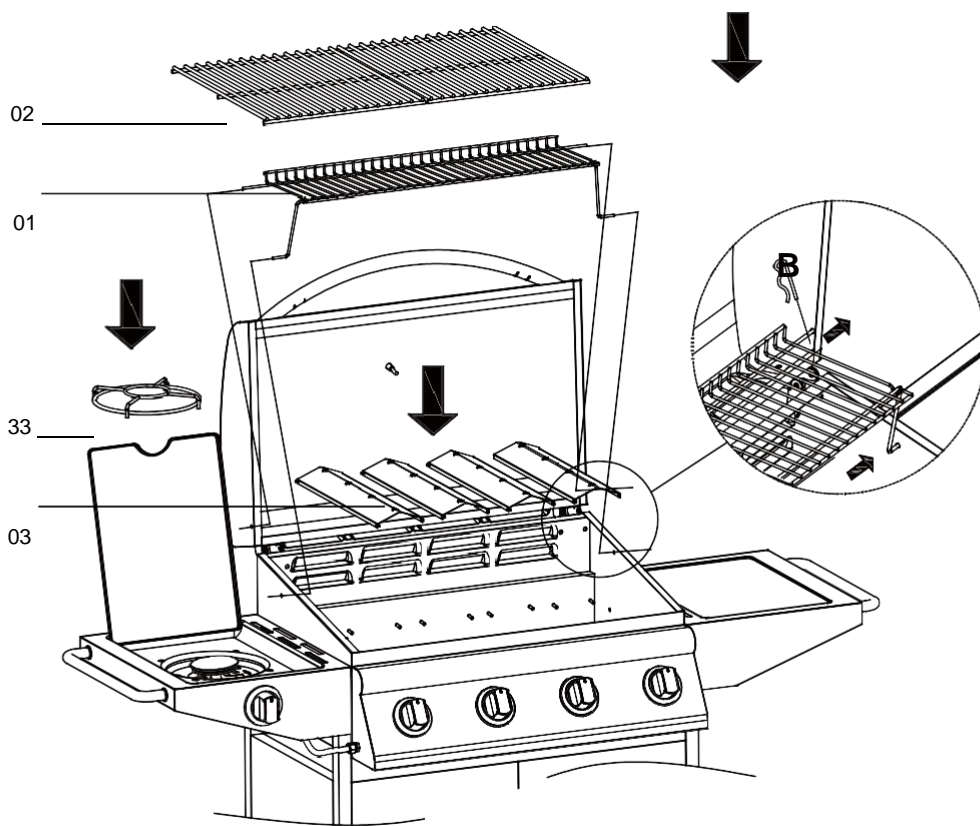
C \varnothing M4X10 2PCS

STEP 17



C \varnothing M4X10 2PCS

STEP 18



B  Clip 2PCS

CONNECTING THE GAS CYLINDER TO THE APPLIANCE

This appliance requires an operating pressure of 2,8 kPa at the appliance. A suitable LPG regulator that complies with the requirements of SANS 1237 must be installed. The hose should be secured to the regulator and the appliance with hose clips. Please consult your local bottled gas dealer for information regarding a suitable regulator for the gas cylinder and Braai.

Danger: You must have the proper regulator and bottle in order for the Braai to operate safely and efficiently. Use of an incorrect or faulty regulator is dangerous and will invalidate any warranty.

Regulator and Hose

- This BBQ is provided with a 2,8 kPa regulator and a 800mm hose.
- Replacement regulators are available from your equipment retailer or an authorized bottled gas stockist. Use only regulators and hoses approved for bottled gas at the above pressure.
- The use of the wrong regulator or hose is dangerous, always check that you have the correct items before operating the BBQ.
- Use standard flexible hose with length less than 1.5 m. The hose must be readily visible across its entire length for inspection after installation. Worn or damaged hose must be replaced.
- Ensure that the hose is not obstructed, kinked or in contact with any part of the BBQ other than at its connection.

Gas Cylinder

- The gas cylinder should not be dropped or handled roughly. If the appliance is not in use, the cylinder must be disconnected. Replace the protective cap on the cylinder after disconnecting the cylinder from the appliance.
- Cylinder must be stored outdoors in an upright position and out of the reach of children. The cylinder must never be stored where temperatures can reach over 50°C. Do not store the cylinder near flames, pilot lights or other sources of ignition. **DO NOT SMOKE NEAR THE CYLINDER(S).**

Connection to Appliance

- Before connection, ensure that there is no debris caught in the head of the gas cylinder, regulator, burner and burner parts. Spiders and insects can nest within and clog the burner/venturi tube at the orifice. A clogged burner can lead to a fire beneath the appliance.
- Clean burner holes with a heavy-duty pipe cleaner.
- Fit the hose to the appliance using a spanner to tighten it on to the connection thread. If the hose is replaced it must be secured to the appliance and regulator connections with hose clips. Disconnect the regulator from the cylinder (according to the directions supplied with the regulator) when the Braai is not in use.
- Connect gas line to tank by turning knob clockwise until it stops, make sure that the tube is not subject to twisting.

- After connecting to gas cylinder, a leak test is necessary.
- The Braai must be used in a well ventilated area. Do not obstruct the flow of combustion air to the burner when the Braai is in use. **ONLY USE THIS BRAAI OUTDOORS.**

Disconnect LP Gas cylinder

- Before disconnecting make sure the LP gas tank valve is in “CLOSED”.
- Disconnect gas line from LP gas cylinder by turning knob counterclockwise until it is loose.

Danger: When changing the gas container, care must be taken to keep away from any source of ignition.

CHECK FOR LEAKS BEFORE USE

Never check for leaks with a naked flame, always use a soapy water solution

TO CHECK FOR LEAKS

- Make 2-3 fluid ounces of leak detecting solution by mixing one part washing-up liquid with 3 parts water.
- Ensure the control valve is OFF.
- Connect the regulator to the cylinder and ON/OFF valve to the burner, ensure the connections are secure then turn ON the gas.
- Brush the soapy solution onto the hose and all joints. If bubbles appear you have a leak, which must be rectified before use.
- Retest after fixing the fault.
- Turn OFF the gas at the cylinder after testing.
- If leakage is detected and cannot be rectified, do not attempt to cure leakage but consult your gas dealer.


LIGHTING YOUR BRAAI

Warning: Before proceeding, make certain that you have assembled the appliance according to instructions.

Before Lighting: Inspect the gas supply hose prior to turning the gas “ON”. If there is evidence of cuts, wear or abrasion, it must be replaced prior to use. Check leakage before use. Do not use the Braai if the odor of gas is present.

Preparation before cooking: To prevent foods from sticking to the cooking grill, please use a long handled brush to apply a light coat of cooking or vegetable oil before each cooking session. (Note: When cooking for the first time, coating color may change slightly as a result, this is normal and should be expected).

Lighting instructions for main burner


1. Open the hood and make sure that all burners are in the OFF position.
2. Connect the regulator to the gas bottle. Turn the gas supply to "ON" position on the regulator. Use soapy water to check if there is any gas leakage between the Bottle and the regulator.
3. Push down the second control knob and turn it anti-clockwise to  position, this will light the pilot and the second main burner. Always lit the second burner first.
4. Turn other burners on by turning the control knob to HI position. They will be light through flame channel. Always start from left side to right side burner.
5. If the burner fails to ignite, turn the control knob off(clockwise) and also turn the cylinder valve off. Wait 5 minutes and repeat step 3.
6. Adjust the heat by turning the knob to the High/Low position.
7. To turn off the Braai, turn the cylinder valve or regulator switch to the "OFF" position and then turn all control knobs on the appliance clockwise to the "OFF" position.

Warning: If any burner fails to ignite, turn the control knob off (clockwise) and also turn the cylinder valve off. Wait five minutes before attempting to relight.

Before cooking for the first time, operate the Braai for about 15 minutes with the lid closed and the gas turned on HIGH. This will 'heat clean' the internal parts and dissipate odour from the painted finish.

Note: A loose connection between side burner and valve will not cause personal injury, a flame can only occur with a mixture of gas and oxygen.

Lighting instructions for side burner

1. Open the lid.
2. Push down the control knob and turn it anti-clockwise to  position to light the burner.
3. If the burner is not lit within 5 seconds, turn the knob to OFF position, and repeat step 2.
4. If the burner fails to ignite, turn the control knob off (clockwise) and also turn the cylinder valve off. Wait 5 minutes and repeat step 2.
5. To turn the Braai "OFF", turn the cylinder valve or regulator switch to the "OFF" position and then turn the control knob on the appliance clockwise to the "OFF" position.

Warning: If any burner fails to ignite, turn the control knob to off position (clockwise) and also turn the cylinder valve off. Wait for five minutes before attempting to light the Braai again.

Note: A loose connection between burners and valves will not cause personal injury, flame can only occur with a mixture of gas and oxygen.

Before cooking for the first time, operate the Braai for about 15 minutes with the lid closed and the gas turned on HIGH. This will "heat clean" the internal parts and dissipate odor from the painted finish.

BURN-BACK(FIRE IN BURNER TUBE OR CHAMBER)

In the event of a burn-back, where the flame burns back to the jet, immediately turn off the gas supply at the control valve on the panel. After ensuring the flame is extinguished, wait for 1 minute and relight the appliance in the normal manner. Should the appliance again burn back, close the control valve and call a service technician. Do not use the appliance again until the service technician has declared that it is safe to do so.

FLARE-UP CONTROL

Flare-ups can occur whilst cooking, and is caused by fat and juices falling onto a hot surface. Avoid excessive flare-ups to prevent food from being burnt. The flame tamers are designed to help limit the amount of flare ups, but these must be kept in good condition and free of grease to be effective.

To control flare ups, excess fat must be trimmed from meat and poultry before cooking, try to avoid very cheap meat products as these tend to have a high fat and water content. Only use cooking sauces and marinades sparingly.

If a flare up occurs, move the food away from the flare up if it is safe to do so. Baking soda or salt can be used to extinguish it. Always protect your hands when handling anything near the cooking surface of the Braai and take care to protect yourself from the flames.

FAT FIRES

Empty and clean the Braai of food debris following each use. If the Braai is to be used for a large gathering, it may be necessary to turn off and cool the Braai every two hours to remove food debris from the drip tray and drip pan. The maximum cooking time between cleans depends on both the amount of food been cooked and its fat content. When cooking large quantities of food with a high fat content, the Braai will require more regular cleaning. Failure to keep the fat under control may cause injury and seriously damage the Braai. This would not be covered under the warranty.

In the event of a fat fire:

If safe to do so, turn all the control dials to "OFF" position.

Turn off the gas supply on the regulator.

Keep everyone a safe distance away from the Braai and wait until the fire has burnt out.

Do not close the Braai lid.

Never douse a Braai with water, if an extinguisher is used, it should be a powder type.

Do not attempt to remove the fat until the Braai has cooled.

If the fire does not seem to be abating or appears to be worsening, contact the Fire Brigade for assistance.

CLEANING AND CARE

CAUTION: All cleaning and maintenance should be carried out when the Braai is cool and with the fuel supply turned OFF at the gas cylinder.

CLEANING: "Burning off" the Braai after every use (for approx 15 minutes) will keep excessive food residue to a minimum.

OUTSIDE SURFACE

- Use mild detergent or baking soda and hot water solution. Non-abrasive scouring powder can be used on stubborn stains, then rinse with water.
- If the inside surface of the Braai lid has the appearance of peeling paint, baked on grease build-up has turned to carbon and is flaking off, clean thoroughly with strong, hot soapy water solution. Rinse with water and allow to completely dry. **NEVER USE OVEN CLEANER.**

INTERIOR OF BRAAI BOTTOM

Remove residue using a brush, scraper and/or cleaning pad then wash with a soapy water solution. Rinse with water and allow to dry.

COOKING GRID

Use a mild soapy water solution. Non-abrasives scouring powder can be used on stubborn stains then rinse with water.

CLEANING THE BURNER ASSEMBLY

- Turn the gas OFF at the control knob and disconnect the cylinder.
- Remove cooling grate.
- Clean the burner with a soft brush or blow clean with compressed air and wipe with a cloth.
- Clean any clogged parts with a pipe cleaner or stiff wire (such as an opened paper clip).
- Inspect burner for any damage (cracks or holes). If damage is found, replace with a new burner. Re-install the burner, check to ensure that the gas valve orifices are correctly positioned and secured inside the burner inlet (venturi).

Storage of Appliance

Storage of an appliance indoors is only permissible if the cylinder is disconnected and removed from the appliance. When the appliance is not in use for a period of time it should be stored in its original packaging and stored in a dry, dust free environment.

SERVICING

Your gas Braai should be serviced annually by a qualified technician.



Thanks for buying this ZERO Braai.
Please keep this user manual in a safe place



Updated on :AUG 23